

# ER10-1600



7D ž

JY

--

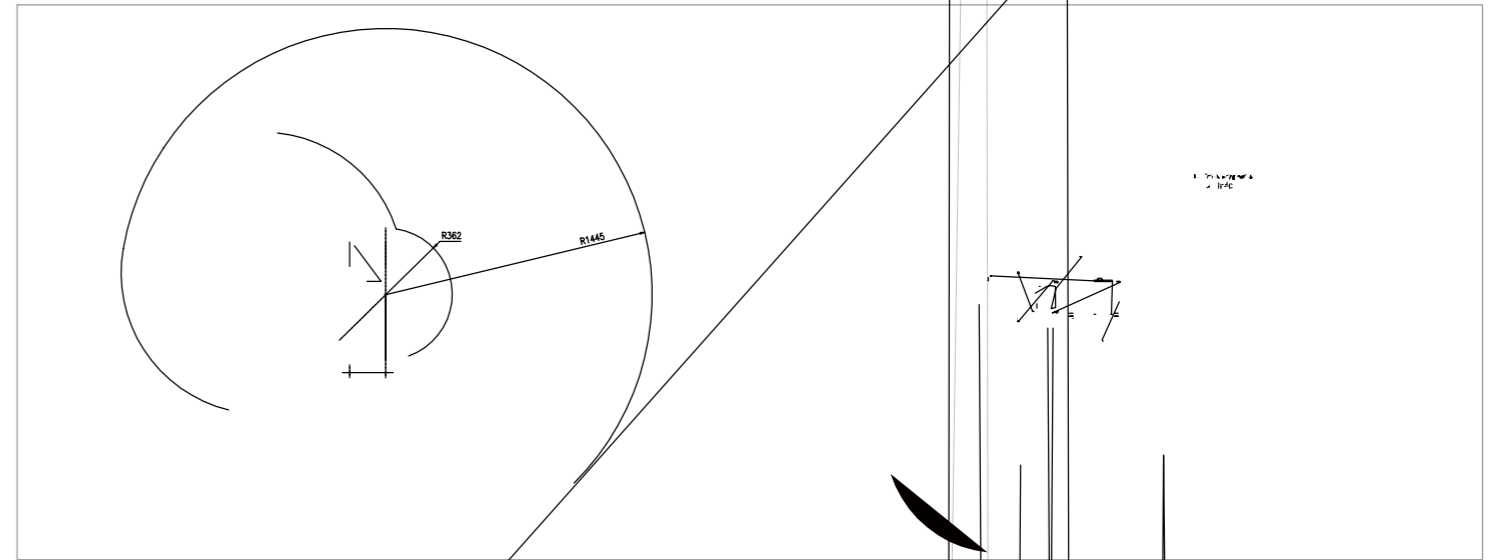
- 
- 
- 



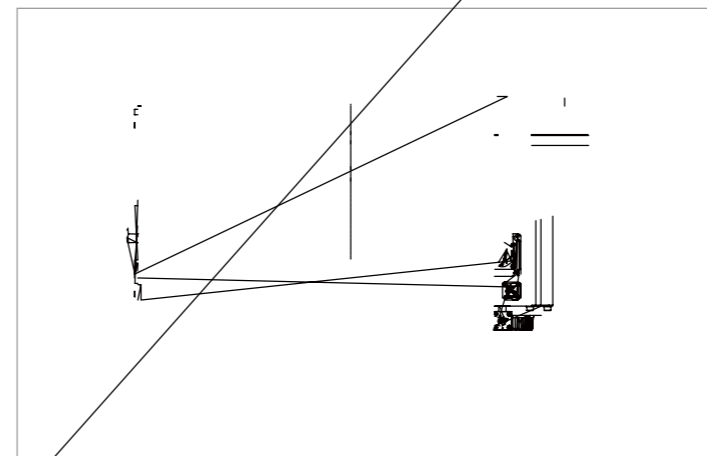
## /SPECIFICATIONS

ER	-	<	N m
		<	N m
		<	N m
		<	kg m <sup>2</sup>
	kg	<	kg m <sup>2</sup>
	± . mm	<	kg m <sup>2</sup>
	kg	<	°/sec
	mm	<	°/sec
IP	/ IP	<	°/sec
	IP	<	°/sec
	AC	<	°/sec
	-	<	± °
		<	+ °/- °
		<	+ °/- °
RH	%	<	± °
	m/s <sup>2</sup> . G	<	± °

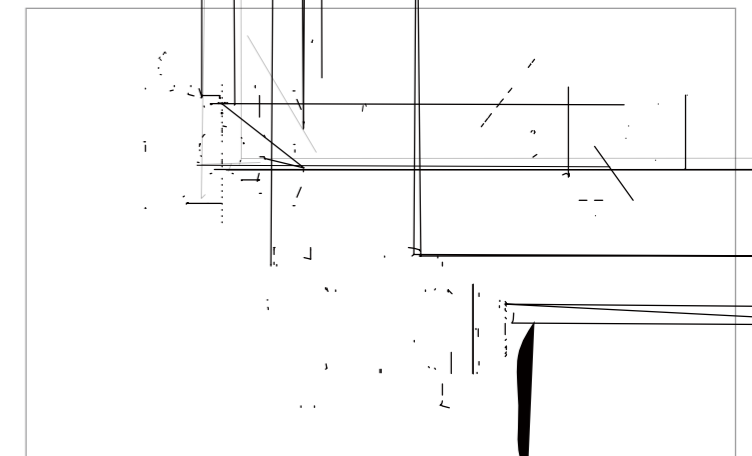
## /OPERATING SPACE



## /BASE MOUNTING SIZE



## /END FLANGE MOUNTING SIZE



XBADF ;@F7>>;97@F 7CG;B? 7@F 5Až>F6ž