

01

kg/ . m kg/ . m kg/ . m

ER - ER - ER -



mm



IP
mm* mm



s



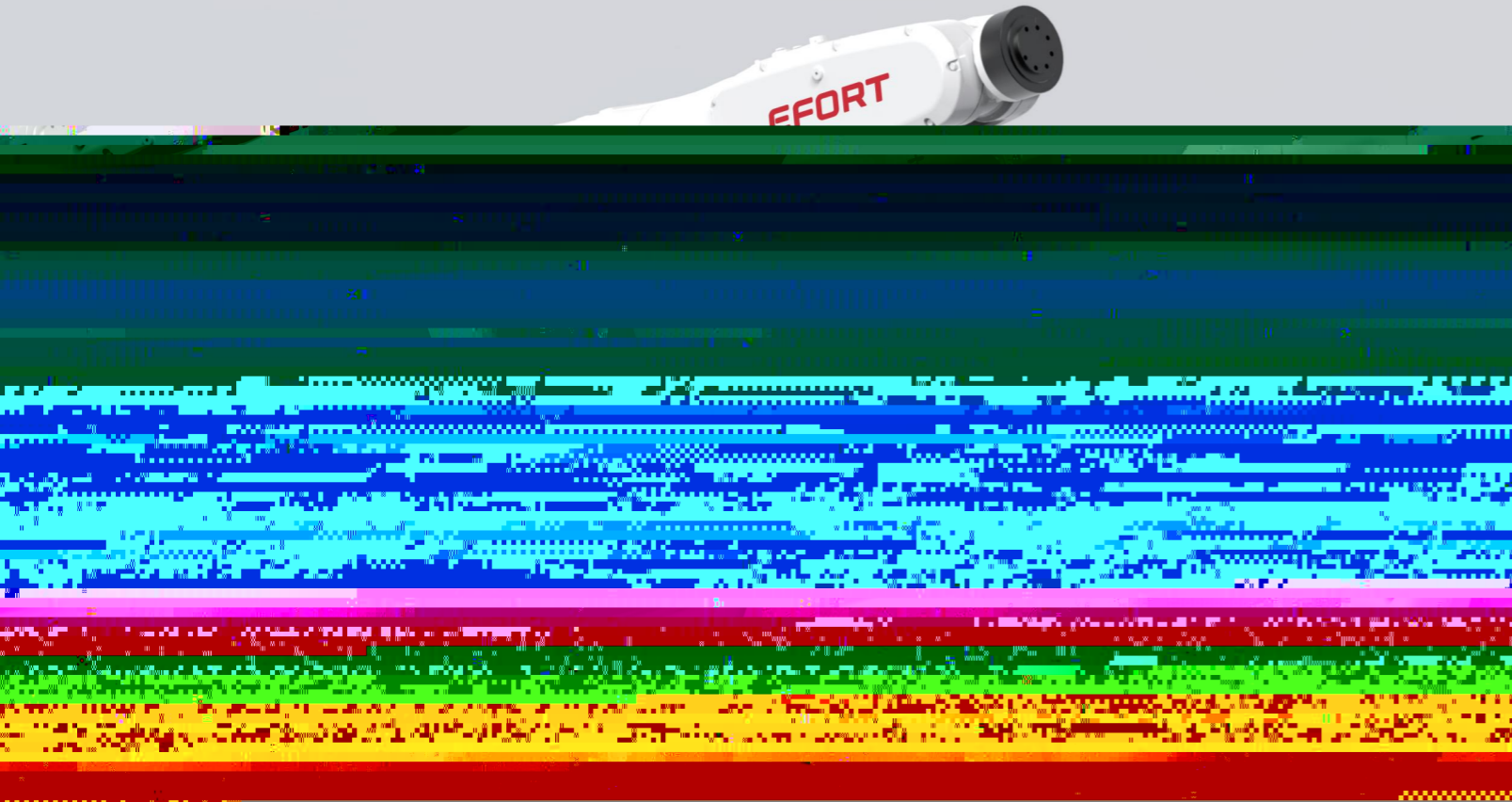
02

ER10-1100

EFORT

ER - kg mm

-
- PCB

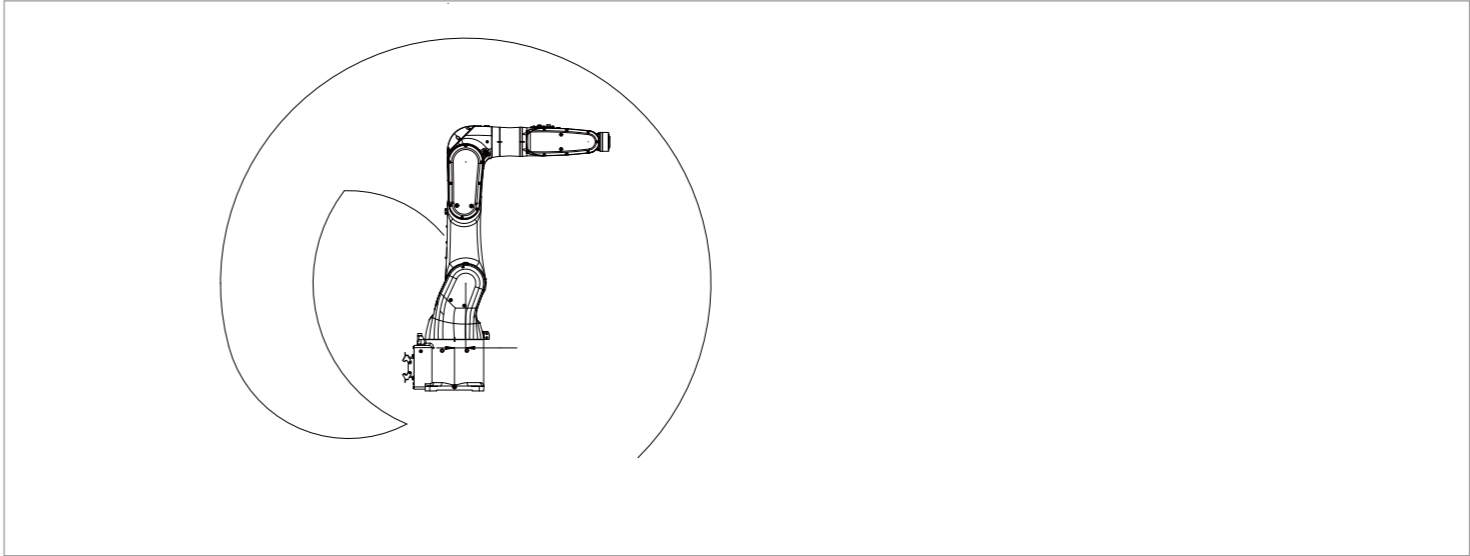


/SPECIFICATIONS

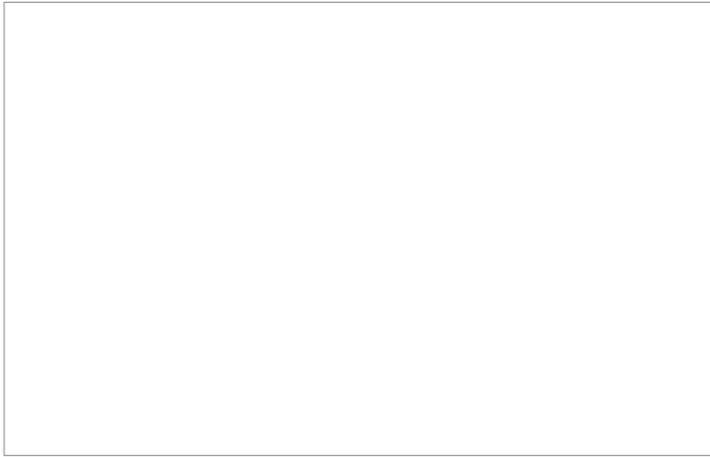
	ER -
	kg
	± . mm
	kg
	mm
	IP / IP
	IP / IP
	AC
	-
	RH %
	. m/s ² . G

J	N m
J	N m
J	N m
J	. kg m ²
J	. kg m ²
J	. kg m ²
J	°/sec
J	°/sec
J	°/sec
J	°/sec
J	°/sec
J	°/sec
J	± °
J	+ °/- °
J	+ °/- °
J	± °
J	± °
J	± °

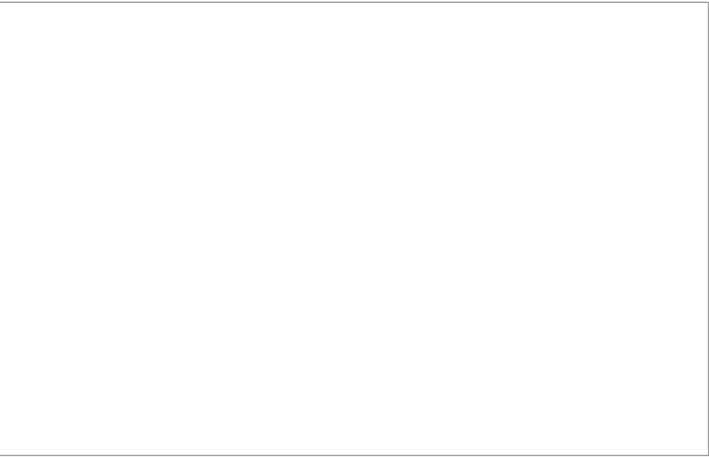
/OPERATING SPACE



/BASE MOUNTING SIZE



/END FLANGE MOUNTING SIZE



ER12-900

EFORT

ER - kg mm

-
- PCB



/SPECIFICATIONS

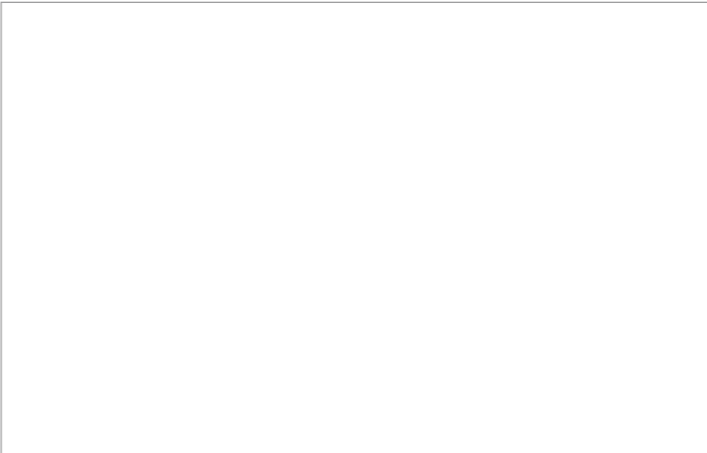
	ER -
	kg
	± . mm
	kg
	mm
	IP / IP
	IP / IP
	AC
	-

J	N m
J	N m
J	N m
J	. kg m ²
J	. kg m ²
J	. k m ²
J	°/sec
J	°/sec
J	°/sec
J	°/sec
J	°/sec
J	°/sec
J	± °
J	+ °/- °
J	+ °/- °
J	± °
J	± °
J	± °

/OPERATING SPACE



/BASE MOUNTING SIZE



/END FLANGE MOUNTING SIZE

